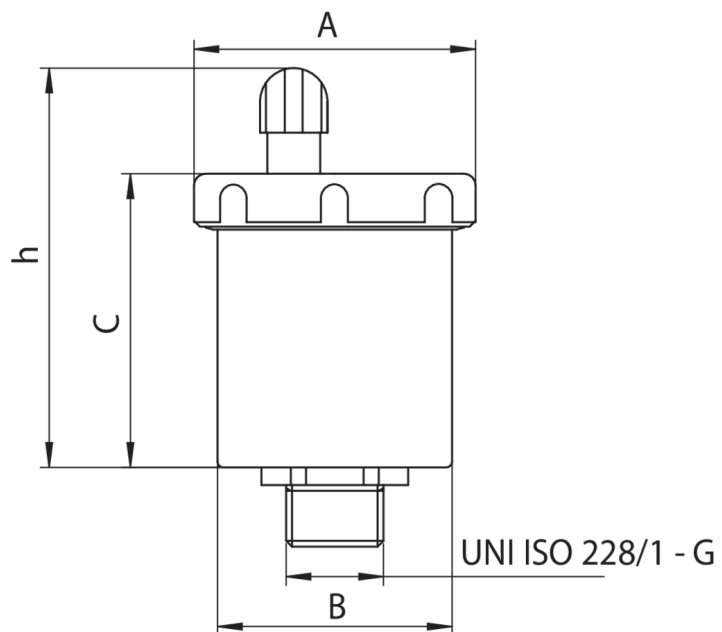


595020

Valvola dritta di sfogo aria automatica.



Specifiche tecniche



| TRATTAMENTO - TREATMENT | MISURA - SIZE | BOX | MASTER BOX | CODICE | A | B | C | H |
|---------------------------|---------------|-----|------------|----------|----|----|----|----|
| Nichelato - Nickel plated | 3/8" | 10 | 40 | 59502003 | 48 | 40 | 50 | 68 |
| Nichelato - Nickel plated | 1/2" | 10 | 40 | 59502004 | 48 | 40 | 50 | 68 |

Applicazioni



DRINKING WATER



HEATING



HVAC



COMPRESSED AIR



INDUSTRIAL



MARINE