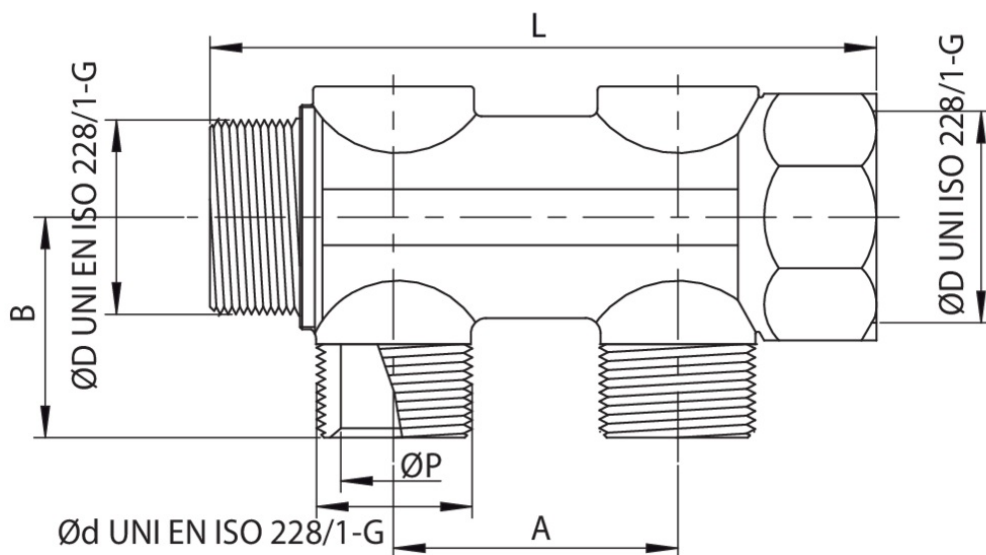


# 590000



Collettore lineare in ottone derivazioni 1/2".

## Specifiche tecniche



TRATTAMENTO - TREATMENT	ØD X ØD	N° VIE - N° WAYS	BOX	MASTER BOX	CODICE	ØP	A	B	L
Nichelato - Nickel plated	3/4" x 1/2"	2	20	80	5900000502	16	38	29,5	90
Nichelato - Nickel plated	3/4" x 1/2"	3	15	60	5900000503	16	38	29,5	128
Nichelato - Nickel plated	3/4" x 1/2"	4	10	40	5900000504	16	38	29,5	166
Nichelato - Nickel plated	1" x 1/2"	2	20	80	5900000602	16	38	32	90
Nichelato - Nickel plated	1" x 1/2"	3	10	40	5900000603	16	38	32	128
Nichelato - Nickel plated	1" x 1/2"	4	10	40	5900000604	16	38	32	166

## Applicazioni



DRINKING  
WATER



HEATING



HVAC



COMPRESSED  
AIR



INDUSTRIAL



MARINE

