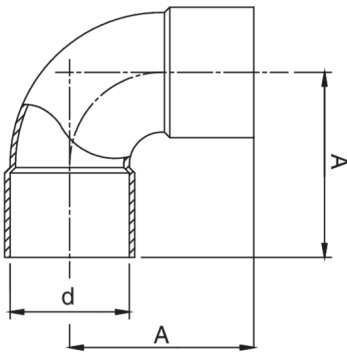


RG5090

Gomito 90° femmina.



Specifiche tecniche



| D | BAG | MASTER BOX | CODICE | A |
|----|-----|------------|-----------------|----|
| 35 | 5 | 90 | RG5090035035000 | 54 |
| 42 | 5 | 40 | RG5090042042000 | 61 |

Applicazioni



GAS



COMPRESSED
AIR



SOLAR



INDUSTRIAL



REFRIGERATION



DRINKING
WATER



HVAC