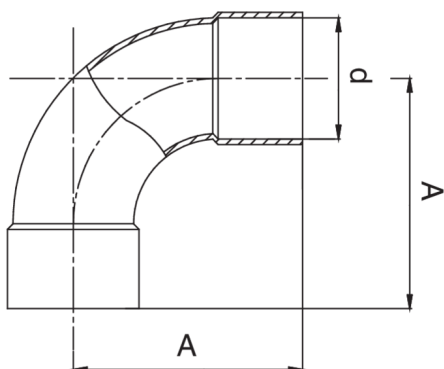


RG5002

Curva 90° femmina.



Specifiche tecniche



D	BAG	MASTER BOX	CODICE	A
22	10	80	RG5002022022000	44
28	10	50	RG5002028028000	54
35	5	50	RG5002035035000	69
42	5	40	RG5002042042000	82
54	1	10	RG5002054054000	100
64	1	8	RG5002064064000	112
76	1	8	RG5002076076000	128
133	1	1	RG5002133133000	209

Applicazioni



GAS



COMPRESSED
AIR



SOLAR



INDUSTRIAL



REFRIGERATION



DRINKING
WATER



HVAC