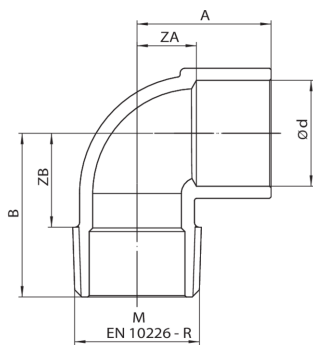


RB4092

Gomito filettato maschio.



Specifiche tecniche



| Ø D X M    | BAG | MASTER BOX | CODICE          | A    | B    | ZA   | ZB   |
|------------|-----|------------|-----------------|------|------|------|------|
| 10 x 3/8"  | 10  | 200        | RB4092A38010000 | 18   | 23   | 10,2 | 12   |
| 12 x 3/8"  | 10  | 250        | RB4092A38012000 | 18   | 23   | 9,3  | 13,1 |
| 12 x 1/2"  | 10  | 250        | RB4092A12012000 | 21,5 | 26   | 13,5 | 16   |
| 14 x 1/2"  | 10  | 250        | RB4092A12014000 | 20   | 23   | 9,3  | 12,3 |
| 15 x 3/8"  | 10  | 200        | RB4092A38015000 | 24   | 25   | 13,4 | 15,1 |
| 15 x 1/2"  | 10  | 200        | RB4092A12015000 | 21,5 | 32,5 | 10,9 | 19,1 |
| 16 x 1/2"  | 10  | 150        | RB4092A12016000 | 22,5 | 30,5 | 11,8 | 16,5 |
| 18 x 1/2"  | 10  | 150        | RB4092A12018000 | 22   | 27   | 9    | 13,1 |
| 18 x 3/4"  | 10  | 100        | RB4092A34018000 | 28   | 31   | 15,4 | 18   |
| 22 x 1/2"  | 10  | 100        | RB4092A12022000 | 26   | 31   | 10,6 | 18,5 |
| 22 x 3/4"  | 10  | 100        | RB4092A34022000 | 28   | 34   | 12,4 | 19,5 |
| 22 x 1"    | 5   | 75         | RB4092B01022000 | 30,5 | 36   | 14,5 | 20   |
| 28 x 3/4"  | 10  | 100        | RB4092A34028000 | 33   | 36,5 | 14,6 | 22,5 |
| 28 x 1"    | 10  | 50         | RB4092B01028000 | 39   | 36,5 | 20,6 | 25   |
| 35 x 1"1/4 | 5   | 50         | RB4092B14035000 | 43,5 | 46   | 20,5 | 28,7 |

Applicazioni



DRINKING  
WATER



HEATING



HVAC



GAS



COMPRESSED  
AIR



SOLAR



INDUSTRIAL