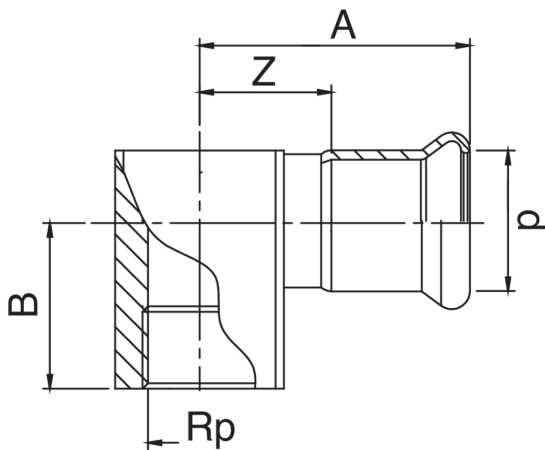




Gomito F/filetto femmina.



Specifiche tecniche



D X RP	BAG	MASTER BOX	CODICE	A	B	Z
15 x 1/2"	5	80	CMF90QA12015000	46	26	30
18 x 1/2"	5	40	CMF90QA12018000	45	26	26
22 x 1/2"	5	25	CMF90QA12022000	47,5	28	25,5
22 x 3/4"	5	25	CMF90QA34022000	51	28	32
28 x 1/2"	10	25	CMF90QA12028000	50	31	31

Applicazioni



HEATING



HVAC



COMPRESSED
AIR