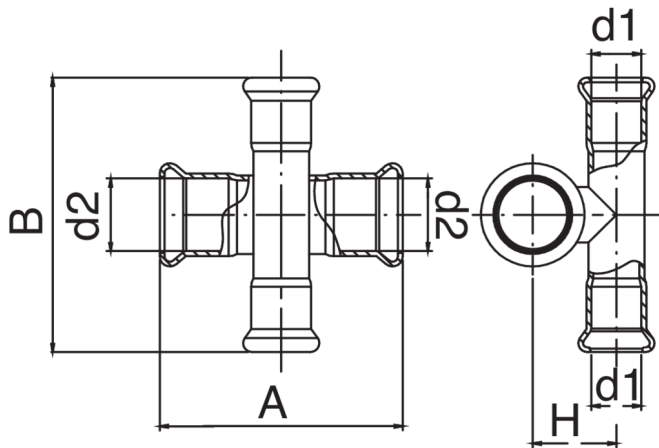




Croce disassata F/F/F.



## Specifiche tecniche



| D1 X D2 | BAG | MASTER BOX | CODICE          | A   | B  | H  |
|---------|-----|------------|-----------------|-----|----|----|
| 15 x 15 | 5   | 40         | CM0150015015000 | 75  | 75 | 26 |
| 18 x 15 | 5   | 40         | CM0150018015000 | 80  | 75 | 28 |
| 22 x 15 | 5   | 30         | CM0150022015000 | 72  | 75 | 30 |
| 22 x 18 | 5   | 30         | CM0150022018000 | 82  | 80 | 31 |
| 28 x 15 | 5   | 20         | CM0150028015000 | 92  | 75 | 33 |
| 28 x 18 | 5   | 20         | CM0150028018000 | 92  | 80 | 34 |
| 28 x 22 | 5   | 30         | CM0150028022000 | 92  | 82 | 36 |
| 54 x 22 | 1   | 10         | CM0150054022000 | 142 | 82 | 49 |

## Applicazioni



HEATING



HVAC



COMPRESSED  
AIR