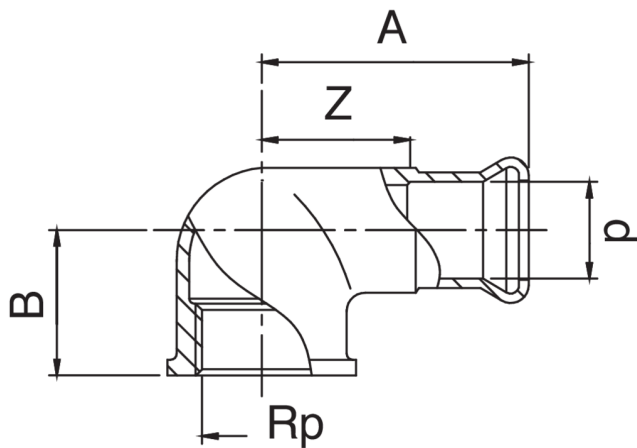


Gomito F/filetto femmina.



Specifiche tecniche



| D X RP | BAG | MASTER BOX | CODICE | A | B | Z |
|------------|-----|------------|-----------------|----|----|----|
| 15 x 1/2" | 5 | 50 | GM0F90A12015000 | 46 | 31 | 27 |
| 18 x 1/2" | 5 | 100 | GM0F90A12018000 | 47 | 32 | 28 |
| 22 x 1/2" | 5 | 75 | GM0F90A12022000 | 48 | 32 | 27 |
| 22 x 3/4" | 5 | 20 | GM0F90A34022000 | 52 | 35 | 31 |
| 28 x 3/4" | 5 | 20 | GM0F90A34028000 | 52 | 38 | 28 |
| 28 x 1" | 5 | 30 | GM0F90B01028000 | 56 | 38 | 34 |
| 35 x 1*1/4 | 5 | 40 | GM0F90B14035000 | 62 | 60 | 27 |

Applicazioni



GAS



COMPRESSED
AIR



INDUSTRIAL