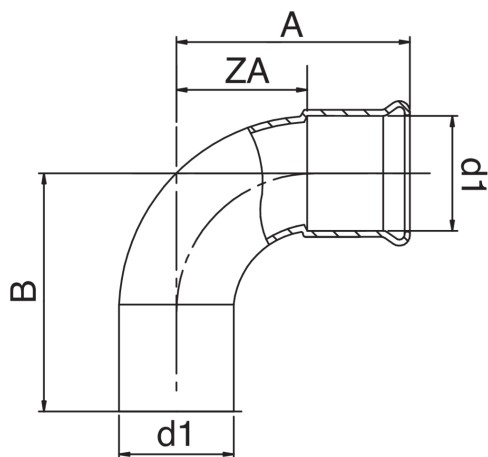




Curva 90° M/F.

Specifiche tecniche



| D1 | BAG | MASTER BOX | CODICE | A | B | ZA |
|----|-----|------------|-----------------|-----|-----|------|
| 15 | 10 | 100 | GM0001015015000 | 39 | 45 | 19,5 |
| 18 | 10 | 100 | GM0001018018000 | 43 | 49 | 23,5 |
| 22 | 5 | 70 | GM0001022022000 | 48 | 54 | 25,5 |
| 28 | 5 | 40 | GM0001028028000 | 57 | 63 | 34,5 |
| 35 | 5 | 10 | GM0001035035000 | 68 | 74 | 42,5 |
| 42 | 1 | 10 | GM0001042042000 | 83 | 89 | 53,5 |
| 54 | 1 | 4 | GM0001054054000 | 102 | 108 | 67,5 |

Applicazioni



GAS



COMPRESSED
AIR



INDUSTRIAL