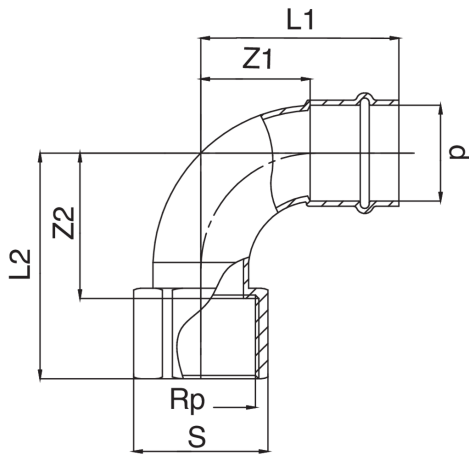




Curva 90° femmina filettata femmina.

Specifiche tecniche



| D X RP | BAG | MASTER BOX | CODICE | L1 | L2 | S | Z1 | Z2 |
|------------|-----|------------|-----------------|----|----|----|----|----|
| 15 x 1/2" | 5 | 30 | GXF90LA12015000 | 58 | 55 | 24 | 31 | 26 |
| 18 x 1/2" | 5 | 30 | GXF90LA12018000 | 61 | 63 | 24 | 36 | 47 |
| 22 x 1/2" | 5 | 30 | GXF90LA12022000 | 61 | 63 | 24 | 37 | 50 |
| 22 x 3/4" | 5 | 50 | GXF90LA34022000 | 73 | 67 | 30 | 40 | 48 |
| 28 x 1" | 5 | 15 | GXF90LB01028000 | 82 | 80 | 36 | 50 | 61 |
| 35 x 1"1/4 | 1 | 10 | GXF90LB14035000 | 92 | 90 | 50 | 66 | 66 |

Applicazioni



GAS



COMPRESSED
AIR



INDUSTRIAL