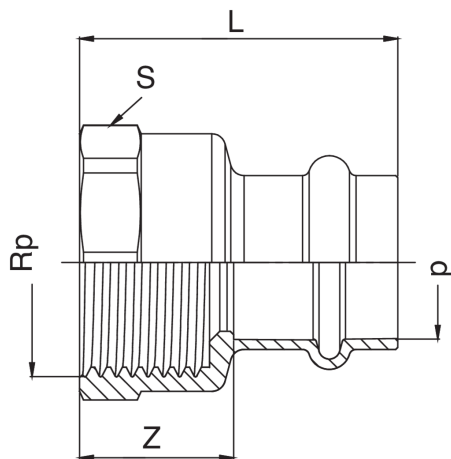


Manicotto femmina filettato femmina.

Specifiche tecniche



D X RP	BAG	MASTER BOX	CODICE	L	S	Z
15 x 1/2"	10	50	GXF270A12015000	44	27	22
18 x 1/2"	10	40	GXF270A12018000	46	27	23
18 x 3/4"	10	100	GXF270A34018000	46	30	26
22 x 1/2"	10	100	GXF270A12022000	40	32	16
22 x 3/4"	10	100	GXF270A34022000	44	32	20
22 x 1"	5	50	GXF270B01022000	47	38	23
28 x 3/4"	5	50	GXF270A34028000	43	38	18
28 x 1"	5	50	GXF270B01028000	48	38	23
35 x 1"	5	20	GXF270B01035000	72	38	46
35 x 1"1/4	1	30	GXF270B14035000	76	50	43
42 x 1"1/2	1	20	GXF270B12042000	79	55	43
54 x 2"	1	10	GXF270C02054000	92	70	52

Applicazioni



GAS

COMPRESSED
AIR

INDUSTRIAL