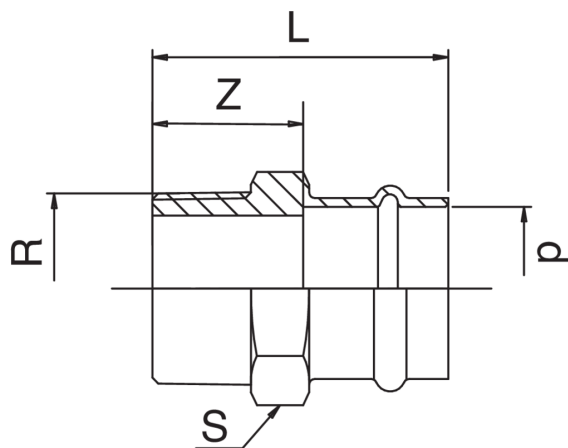


Manicotto femmina filettato maschio.



## Specifiche tecniche



| D x R      | BAG | MASTER BOX | CODICE          | L   | S  | Z  |
|------------|-----|------------|-----------------|-----|----|----|
| 15 x 1/2"  | 10  | 50         | ZXF243A12015000 | 43  | 23 | 21 |
| 18 x 1/2"  | 10  | 150        | ZXF243A12018000 | 62  | 22 | 21 |
| 18 x 3/4"  | 10  | 30         | ZXF243A34018000 | 49  | 30 | 26 |
| 22 x 1/2"  | 5   | 100        | ZXF243A12022000 | 46  | 31 | 20 |
| 22 x 3/4"  | 10  | 100        | ZXF243A34022000 | 47  | 31 | 21 |
| 22 x 1"    | 10  | 50         | ZXF243B01022000 | 55  | 34 | 31 |
| 28 x 3/4"  | 5   | 70         | ZXF243A34028000 | 47  | 32 | 22 |
| 28 x 1"    | 5   | 50         | ZXF243B01028000 | 49  | 36 | 24 |
| 35 x 1"    | 5   | 40         | ZXF243B01035000 | 70  | 36 | 52 |
| 35 x 1 1/4 | 5   | 40         | ZXF243B14035000 | 81  | 45 | 55 |
| 42 x 1 1/2 | 1   | 20         | ZXF243B12042000 | 86  | 48 | 51 |
| 54 x 2"    | 1   | 15         | ZXF243C02054000 | 100 | 60 | 60 |

## Applicazioni



DRINKING  
WATER



HEATING



HVAC



COMPRESSED  
AIR



FIREFIGHTING



MARINE



STEAM



SOLAR



INDUSTRIAL