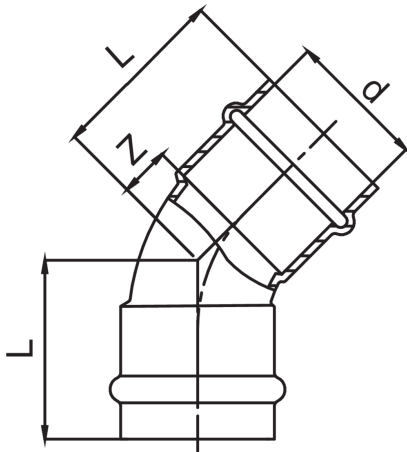




F/F 45° elbow.



Specifiche tecniche



| D | BAG | MASTER BOX | CODICE | L | Z |
|----|-----|------------|-----------------|----|----|
| 15 | 10 | 100 | ZX0041015015000 | 29 | 7 |
| 18 | 5 | 150 | ZX0041018018000 | 46 | 23 |
| 22 | 5 | 50 | ZX0041022022000 | 34 | 10 |
| 28 | 5 | 40 | ZX0041028028000 | 38 | 13 |
| 35 | 5 | 40 | ZX0041035035000 | 43 | 17 |
| 42 | 1 | 20 | ZX0041042042000 | 53 | 17 |
| 54 | 1 | 5 | ZX0041054054000 | 69 | 29 |

The big-size, item AX0041, is available. See at page 151

Applicazioni

