

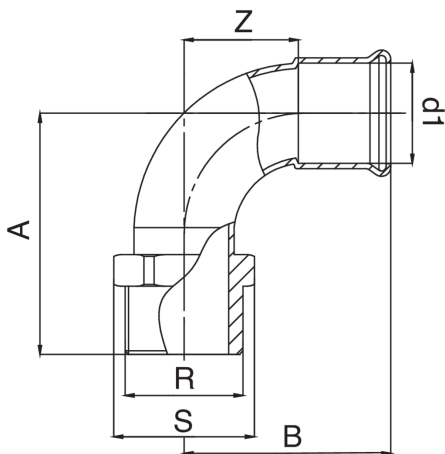
Gomito F/filetto maschio



NEW



Specifiche tecniche



D1 X R	BAG	MASTER BOX	CODICE	A	B	S	Z
15 x 3/8"	10	100	CM0F92A38015000	43	36	21	16
15 x 1/2"	10	100	CM0F92A12015000	46	36	21	16
18 x 1/2"	10	80	CM0F92A12018000	50	40	21	20
22 x 3/4"	10	80	CM0F92A34022000	50	46	27	23
28 x 1"	5	30	CM0F92B01028000	66	58	34	35
35 x 1"1/4	5	20	CM0F92B14035000	72	61	42	31
35 x 1"1/2	1	15	CM0F92B12035000	74	61	50	31
42 x 1"1/2	5	15	CM0F92B12042000	80	81	50	51
54 x 2"	1	8	CM0F92C02054000	110	95	60	60

Applicazioni



HEATING



HVAC



COMPRESSED
AIR