

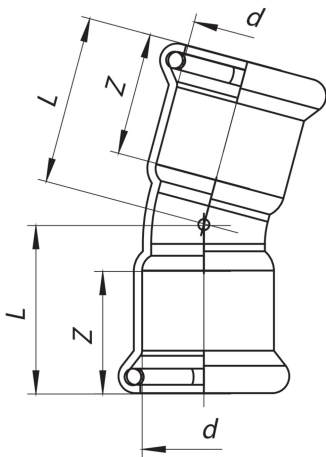


Curva 15° femmina.

**NEW**



## Specifiche tecniche



| D  | BAG | MASTER BOX | CODICE          | L    | Z    |
|----|-----|------------|-----------------|------|------|
| 15 | 10  | 250        | MX0043015015000 | 30   | 19   |
| 18 | 10  | 250        | MX0043018018000 | 26,2 | 19,5 |
| 22 | 5   | 120        | MX0043022022000 | 30,5 | 21   |
| 28 | 5   | 60         | MX0043028028000 | 30   | 22   |
| 35 | 5   | 40         | MX0043035035000 | 55,5 | 27   |
| 42 | 2   | 28         | MX0043042042000 | 66,2 | 30   |
| 54 | 2   | 16         | MX0043054054000 | 81,5 | 35   |

## Applicazioni



DRINKING  
WATER



HEATING



HVAC



COMPRESSED  
AIR



FIREFIGHTING



MARINE



STEAM



SOLAR



INDUSTRIAL