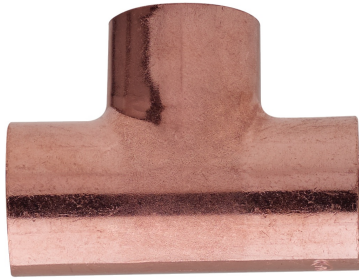
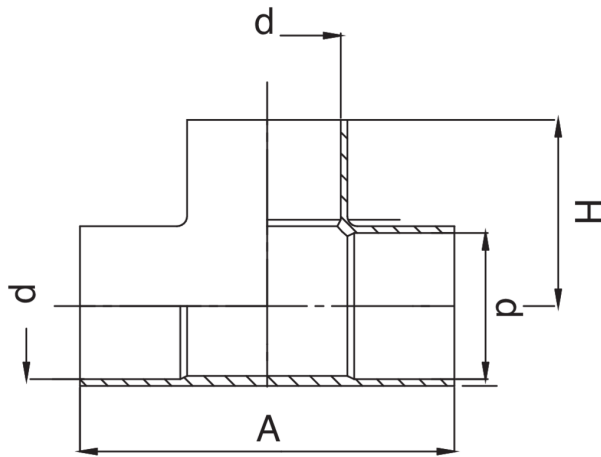


RR5130

Raccordo a T femmina.



Specifiche tecniche



D	BAG	MASTER BOX	CODICE	A	H
6	10	750	RR5130006006006	23	11
8	10	1400	RR5130008008008	23	13
10	10	1000	RR5130010010010	29	14
12	10	400	RR5130012012012	32	17
14	10	300	RR5130014014014	37	18
15	10	250	RR5130015015015	37	19,5
16	10	200	RR5130016016016	37	20
18	10	140	RR5130018018018	45	22,5
20	10	250	RR5130020020020	53	26,5
22	10	80	RR5130022022022	55	28
25	10	130	RR5130025025025	60	31,5
28	10	40	RR5130028028028	66	34
32	10	80	RR5130032032032	81	39
35	5	70	RR5130035035035	83	43
36	5	80	RR5130036036036	86	44
40	5	50	RR5130040040040	96	48
42	5	40	RR5130042042042	98	48
52	1	10	RR5130052052052	121	62,5
54	1	10	RR5130054054054	120	62
63	1	12	RR5130063063063	141	70,5
64	1	12	RR5130064064064	134	71
67	1	10	RR5130067067067	138	69
76	1	9	RR5130076076076	148	75
80	1	8	RR5130080080080	164	82
89	1	5	RR5130089089089	182	91
108	1	3	RR5130108108108	216	109

Applicazioni



DRINKING
WATER



HEATING



HVAC



GAS



COMPRESSED
AIR



SOLAR



INDUSTRIAL