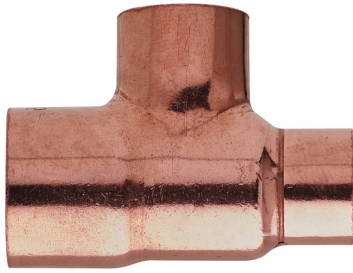
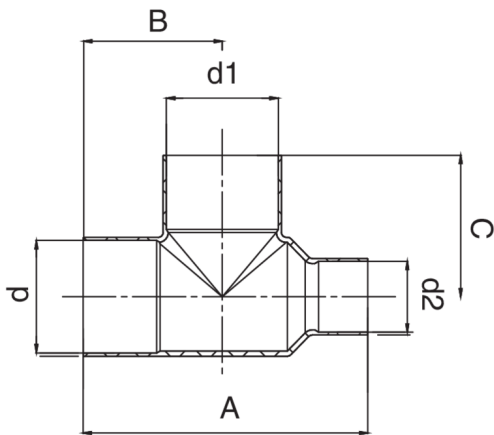


RG5130

Raccordo a T femmina ridotto laterale.



Specifiche tecniche



| D X D1 X D2 | BAG | MASTER BOX | CODICE | A | B | C |
|--------------|-----|------------|-----------------|-----|----|----|
| 28 x 22 x 22 | 5 | 50 | RG5130028022022 | 67 | 33 | 33 |
| 28 x 28 x 22 | 10 | 100 | RG5130028028022 | 70 | 35 | 35 |
| 35 x 22 x 22 | 5 | 80 | RG5130035022022 | 72 | 36 | 35 |
| 35 x 28 x 28 | 5 | 20 | RG5130035028028 | 76 | 38 | 38 |
| 35 x 35 x 28 | 5 | 20 | RG5130035035028 | 87 | 43 | 44 |
| 42 x 28 x 35 | 5 | 50 | RG5130042028035 | 85 | 43 | 42 |
| 42 x 35 x 35 | 5 | 20 | RG5130042035035 | 94 | 47 | 48 |
| 54 x 35 x 42 | 1 | 10 | RG5130054035042 | 102 | 51 | 52 |
| 54 x 42 x 42 | 1 | 10 | RG5130054042042 | 110 | 55 | 56 |
| 54 x 54 x 42 | 1 | 15 | RG5130054054042 | 126 | 61 | 62 |

Applicazioni



GAS



COMPRESSED
AIR



SOLAR



INDUSTRIAL



REFRIGERATION



DRINKING
WATER



HVAC