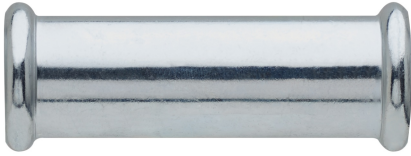
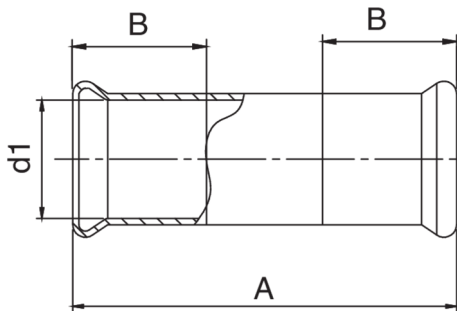


Manchon coulissant F/F.



Spécifications techniques



D1	BAG	MASTER BOX	CODE	A
66,7	1	10	AC0271067067000	232
76,1	1	8	AC0271076076000	242
88,9	1	6	AC0271089089000	272
108	1	3	AC0271108108000	324

Applications



HEATING



HVAC



COMPRESSED
AIR