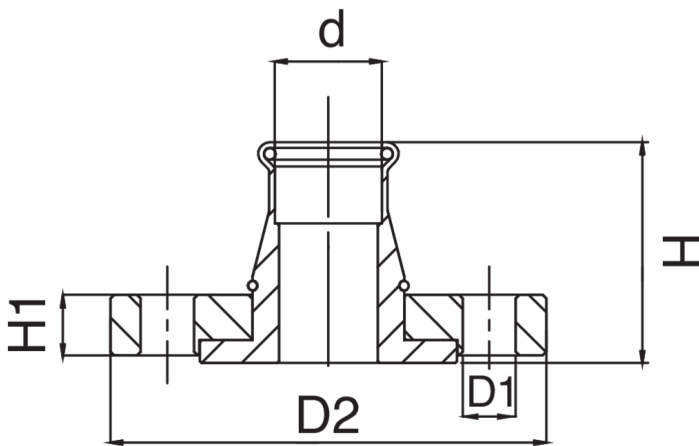




Joint avec bride en bronze.



## Spécifications techniques



| D     | BAG | MASTER BOX | CODE            | D1 | D2  | H   | H1 |
|-------|-----|------------|-----------------|----|-----|-----|----|
| 66,7* | 1   | 2          | RR9273067000000 | 18 | 165 | 95  | 18 |
| 76,1* | 1   | 2          | RR9273076000000 | 18 | 185 | 105 | 18 |
| 76,1* | 1   | 2          | RR9273076080000 | 18 | 200 | 105 | 20 |
| 88,9* | 1   | 2          | RR9273089000000 | 18 | 200 | 110 | 20 |
| 108*  | 1   | 2          | RR9273108000000 | 18 | 220 | 128 | 20 |

\* Copper. No Securfrabo system.

## Applications



DRINKING  
WATER



HEATING



HVAC



COMPRESSED  
AIR



FIREFIGHTING