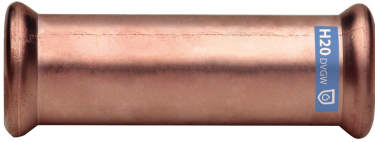
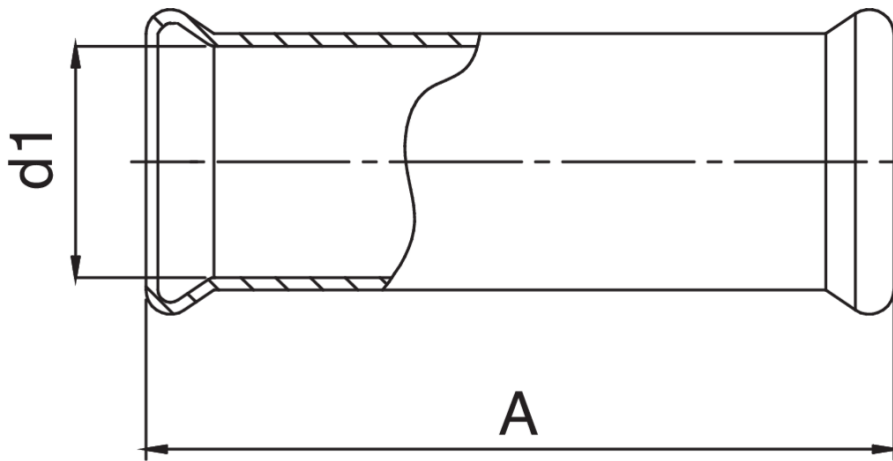


Manchon coulissant F/F en cuivre.



Spécifications techniques



D1	BAG	MASTER BOX	CODE	A
66,7	1	15	RR9271067067000	-
76,1	1	8	RR9271076076000	150
88,9	1	2	RR9271089089000	170
108	1	2	RR9271108108000	-

Applications



DRINKING
WATER



HEATING



HVAC



COMPRESSED
AIR



FIREFIGHTING