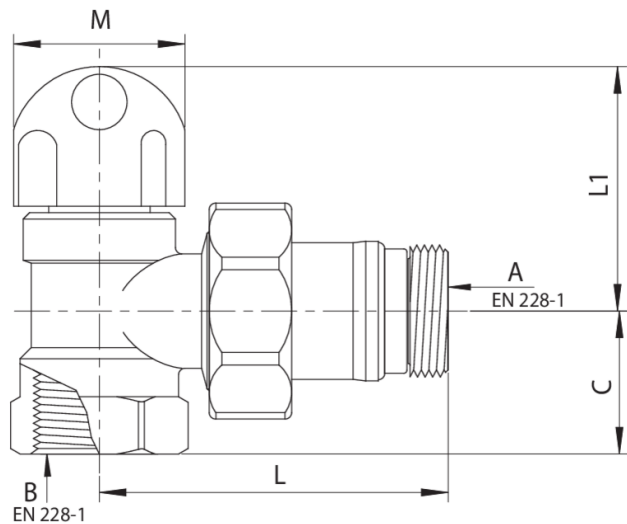


599305

Corps equerre pour tuyax fer.



Spécifications techniques



TRATTAMENTO - TREATMENT	A X B	BOX	MASTER BOX	CODE	C	D	L	L1	M
-	A x B	15	90	59930503	30	50	45	80	27
-	A x B	15	90	59930504	28	54	45	82	27
-	A x B	10	60	59930505	28	57	45	85	27

Applications



DRINKING WATER



HEATING



HVAC



COMPRESSED AIR



INDUSTRIAL



MARINE