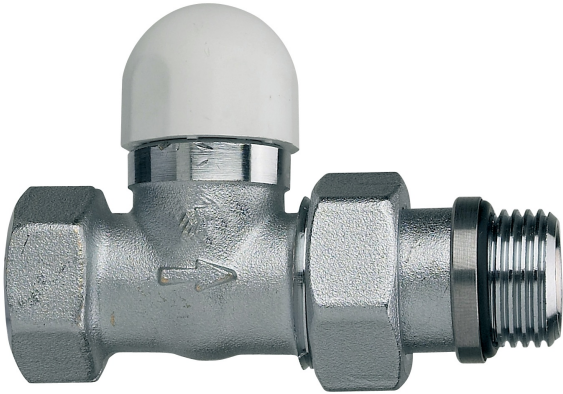
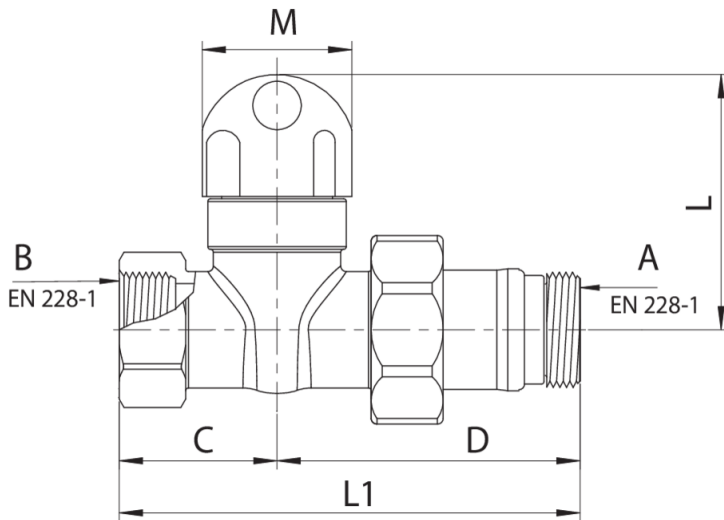


599300

Corps droit pour tuyax fer.



## Spécifications techniques



TRATTAMENTO - TREATMENT	A X B	BOX	MASTER BOX	CODE	C	D	L	L1	M
Nichelato - Nickel plated	3/8" x 3/8"	15	90	59930003	30	50	45	80	27
Nichelato - Nickel plated	1/2" x 1/2"	15	90	59930004	28	54	45	82	27
Nichelato - Nickel plated	3/4" x 3/4"	10	60	59930005	28	57	45	85	27

# Applications



DRINKING WATER



HEATING



HVAC



COMPRESSED AIR



INDUSTRIAL



MARINE