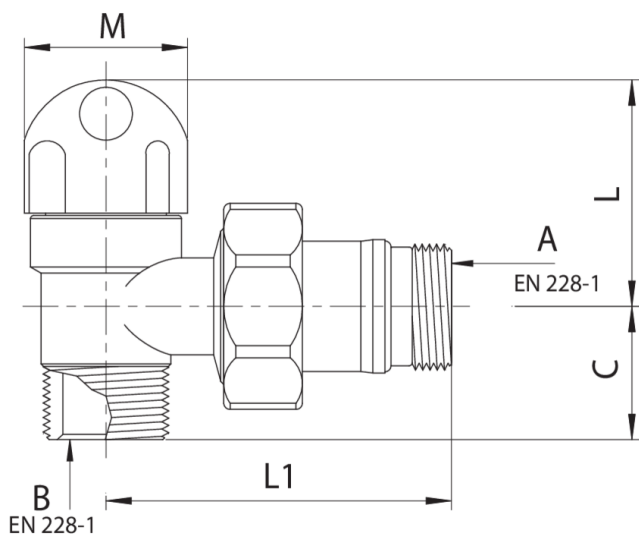


599205

Corps equerre pour tuyax cuivre et multicouche.



Spécifications techniques



TRATTAMENTO - TREATMENT	A	B	BOX	MASTER BOX	CODE	C	L	L1	M
Nichelato - Nickel plated	3/8"	16 x 1/2"	15	90	5992050403	20	41	49	27
Nichelato - Nickel plated	1/2"	16 x 1/2"	15	90	5992050404	23	41	56	27

Applications



DRINKING WATER



HEATING



HVAC



COMPRESSED AIR



INDUSTRIAL



MARINE