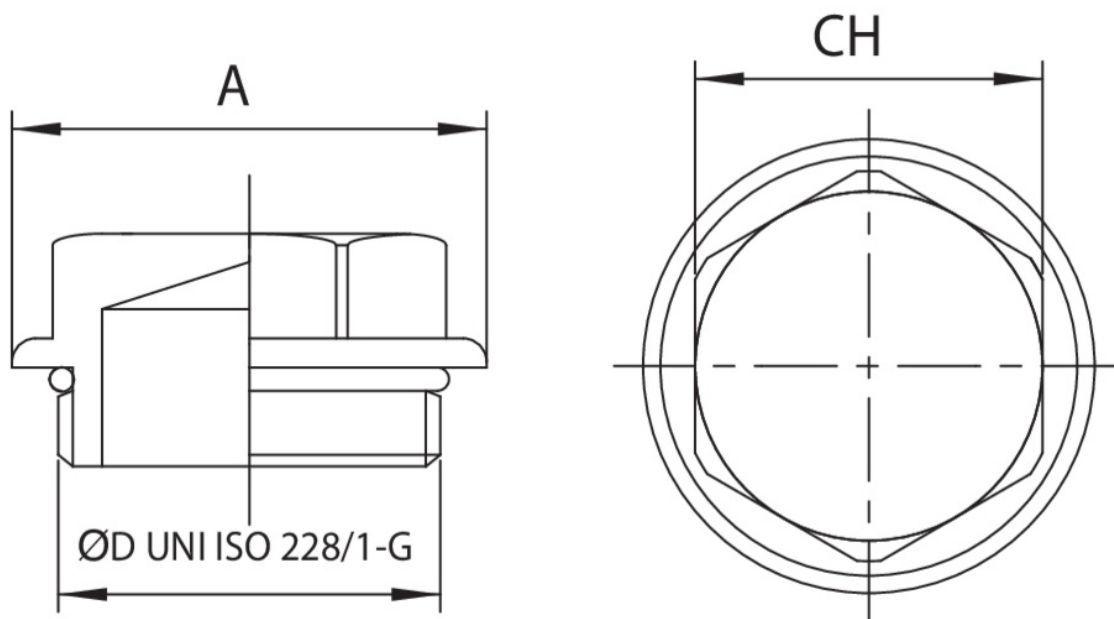


595011

Bouchon mâle en laiton avec O-ring.



Spécifications techniques



TRATTAMENTO - TREATMENT	MISURA - SIZE	BOX	MASTER BOX	CODE	CH	A
Nichelato - Nickel plated	3/4"	100	600	59501105	25	33
Nichelato - Nickel plated	1"	50	300	59501106	30	39

Applications



DRINKING WATER



HEATING



HVAC



COMPRESSED AIR



INDUSTRIAL



MARINE