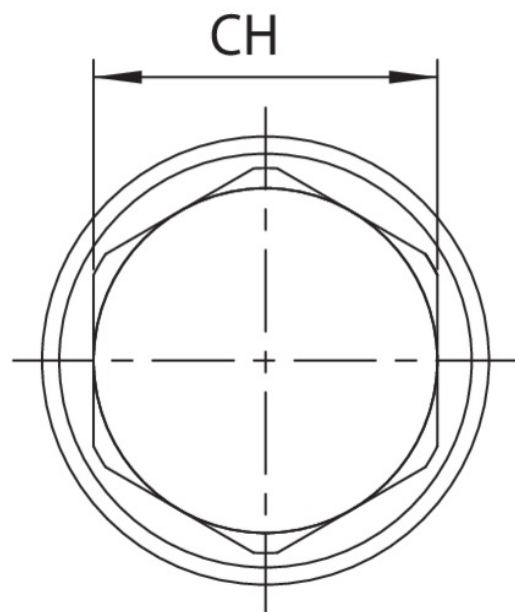
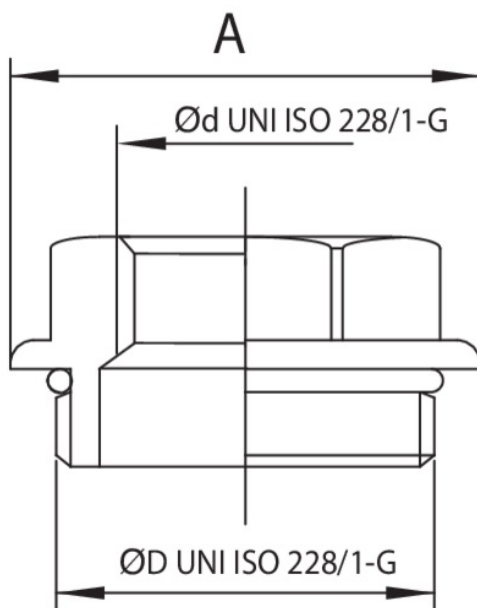


595010

Réduction en laiton mâle-femelle avec O-ring.



Spécifications techniques



TRATTAMENTO - TREATMENT	ØD X ØD	BOX	MASTER BOX	CODE	CH	A
Nichelato - Nickel plated	3/4" x 3/8"	100	600	5950100503	25	33
Nichelato - Nickel plated	3/4" x 1/2"	100	600	5950100504	25	33
Nichelato - Nickel plated	1" x 3/8"	50	300	5950100603	30	39
Nichelato - Nickel plated	1" x 1/2"	50	300	5950100604	30	39
Nichelato - Nickel plated	1" x 3/4"	50	300	5950100605	30	39

Applications



DRINKING WATER



HEATING



HVAC



COMPRESSED AIR



INDUSTRIAL



MARINE