

**503600**

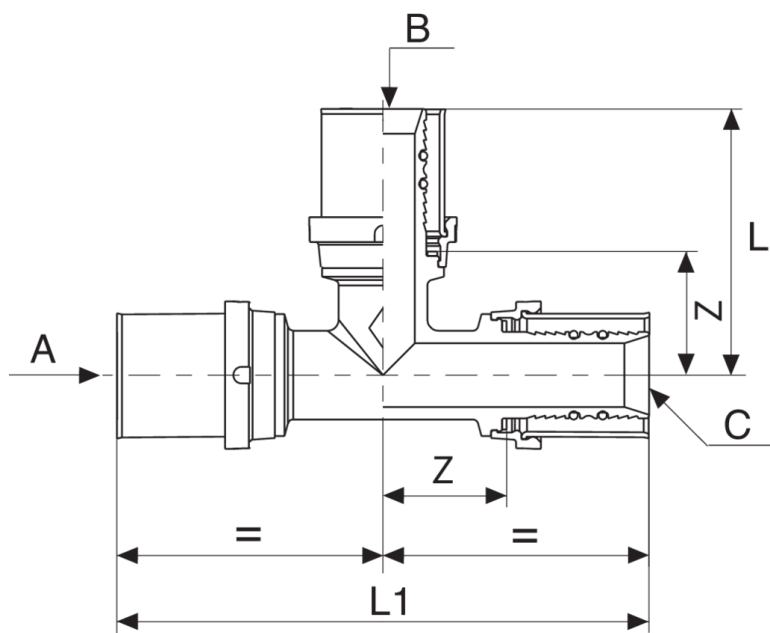
**PATENTED**



Té élargie centrale.



## Spécifications techniques



A X B X C	SP	BAG	BOX	MASTER BOX	CODE	L	L1	Z
16 x 20 x 16	2	5	20	80	503600162016	48	96	22,5
20 x 26 x 20	2-3-2	5	15	60	503600202620	57,5	104	26,5
26 x 32 x 26	3	5	10	40	503600263226	62	121	29,5
32 x 40 x 32	3-3,5-3	-	5	20	503600324032	60	130	34,5

# Applications



DRINKING WATER



HEATING



HVAC



COMPRESSED AIR



INDUSTRIAL



MARINE