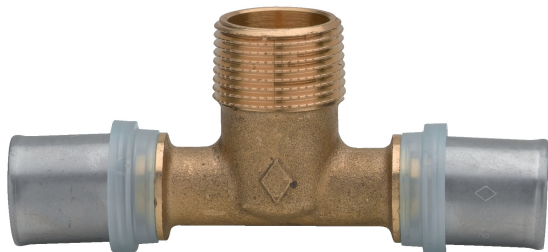


503000

PATENTED

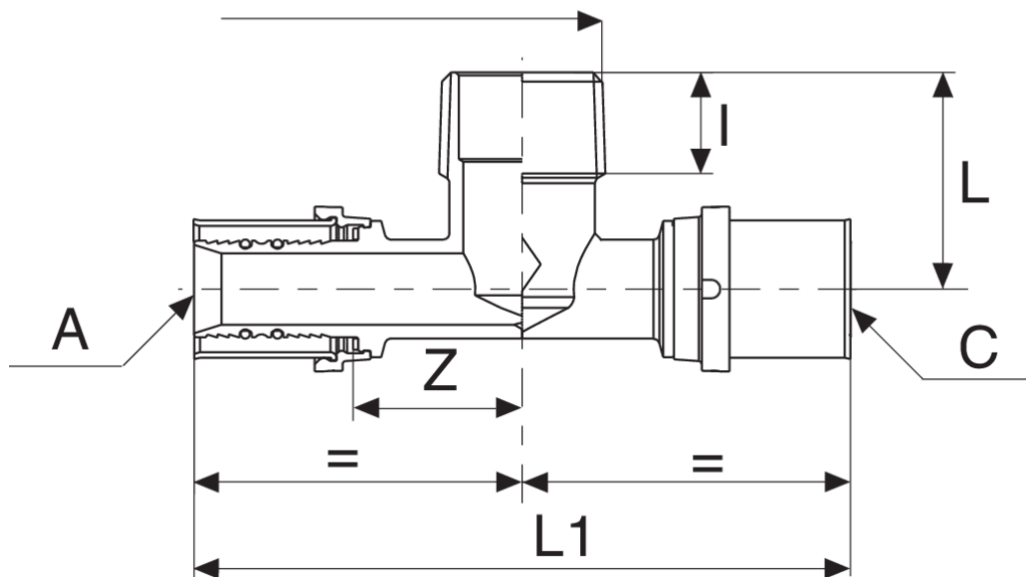


Té filetage mâle.



Spécifications techniques

B - UNI EN 10226/1 - R



AXBXC	SP	BAG	BOX	MASTER BOX	CODE	I	L	L1	Z
14 x 1/2" x 14	2	5	30	120	503000140414	15	30	100	24,5
16 x 1/2" x 16	2	5	30	120	503000160416	15	30	100	24,5
18 x 1/2" x 18	2	5	20	80	503000180418	15	30	100	24,5
18 x 3/4" x 18	2	5	20	80	503000180518	16,3	35	106	27,5
20 x 1/2" x 20	2	5	20	80	503000200420	15	30	100	24,5
20 x 3/4" x 20	2	5	20	80	503000200520	16,3	35	106	27,5
26 x 3/4" x 26	3	5	15	60	503000260526	16,3	35	115	26,5
26 x 1" x 26	3	5	10	40	503000260626	19,1	40	127	32,5
32 x 1" x 32	3	4	8	32	503000320632	19,1	40	130	32,5

Applications



DRINKING WATER



HEATING



HVAC



COMPRESSED AIR



INDUSTRIAL



MARINE