

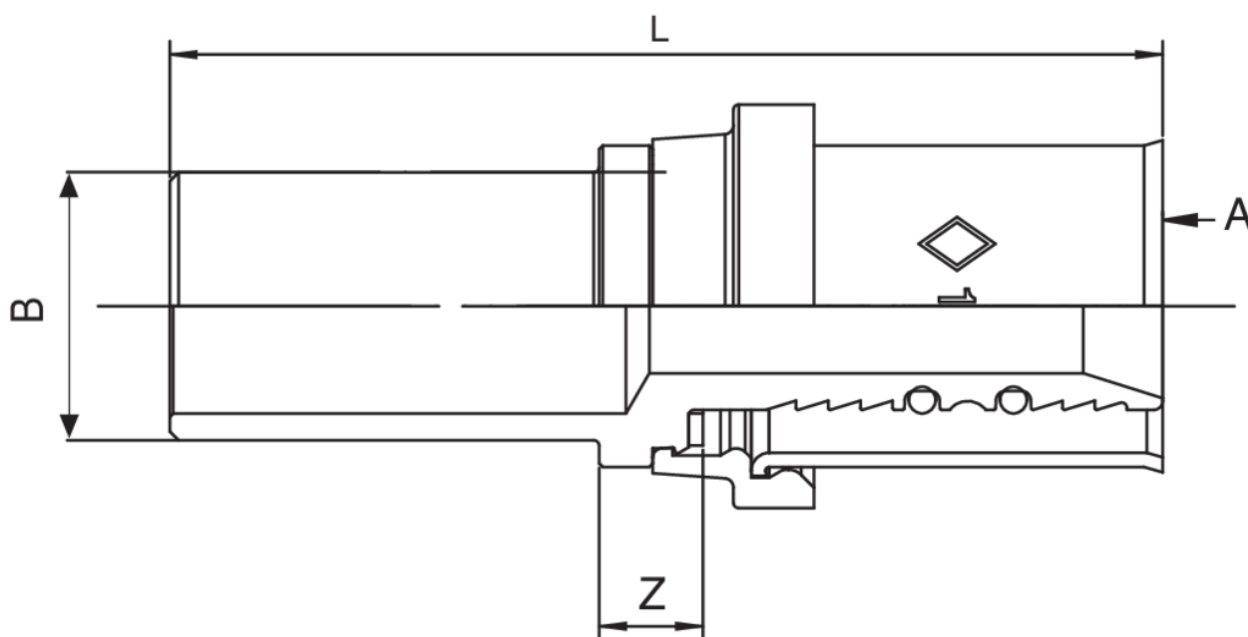
500600

PATENTED

Raccord de connexion multicouche/acier.



Spécifications techniques



A X B	SP	BAG	BOX	MASTER BOX	CODE	L	Z
16 x 15	2	5	20	80	5006001615	55,5	6
20 x 18	2	5	20	80	5006002018	56,5	7
20 x 22	2	5	20	80	5006002022	55	6,5
26 x 22	3	5	20	80	5006002622	64	8
32 x 28	3	5	20	80	5006003228	66,5	8

Applications



DRINKING WATER



HEATING



HVAC



COMPRESSED AIR



INDUSTRIAL



MARINE