

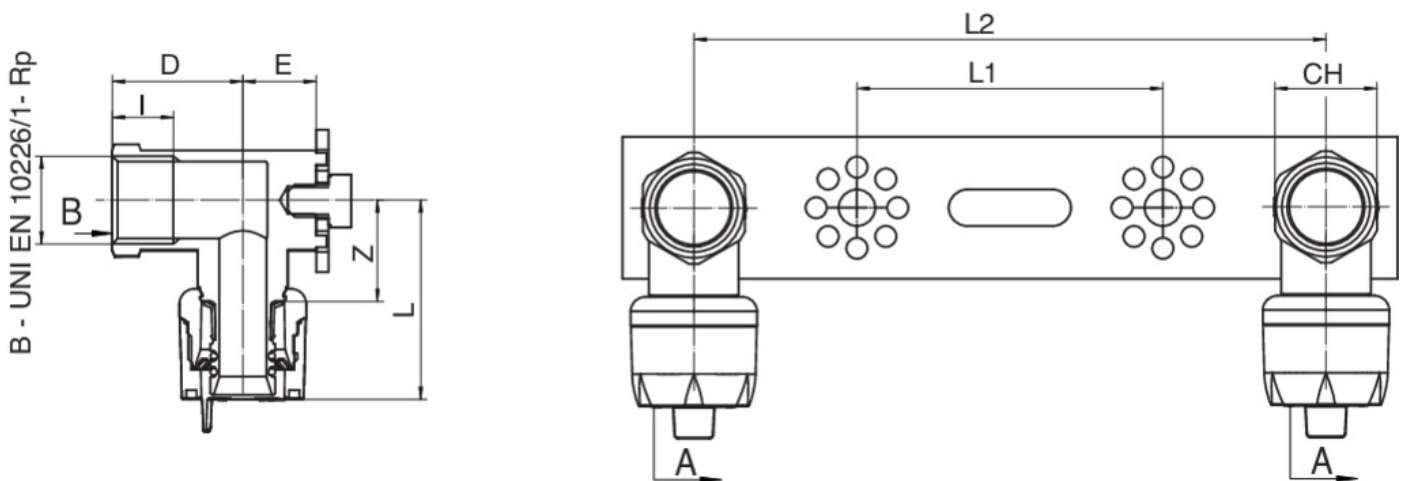


544200

PATENTED

Étrier et raccords terminales.

Spécifications techniques



A X B	SP	BAG	BOX	MASTER BOX	CODE	I	CH	D	E	L	L1	L2	Z
16 x 1/2"	2	1	4	16	5442001604	15	25	32	18	50	75	155	25
20 x 1/2"	2	1	4	16	5442002004	15	25	32	18	50	75	155	25

Applications



DRINKING
WATER



HEATING



HVAC



COMPRESSED
AIR



INDUSTRIAL



MARINE