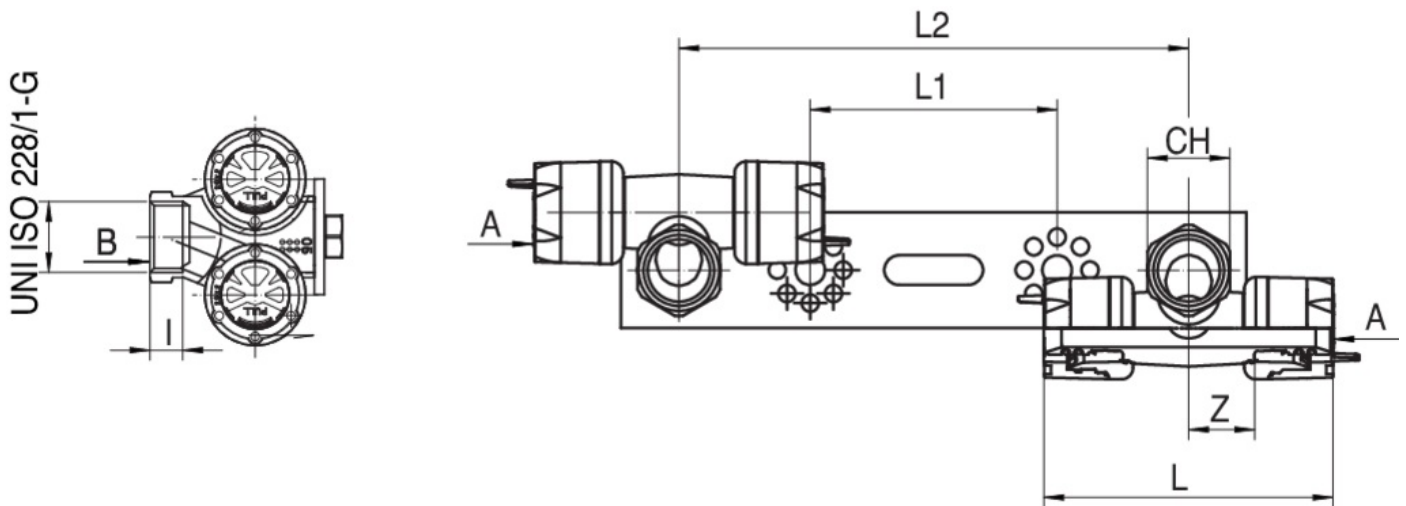


544000

PATENTED

Étrier et raccords désaxés pour connexion en série.

Spécifications techniques



| A X B | SP | BAG | BOX | MASTER BOX | CODE | I | CH | L | L1 | L2 | Z |
|-----------|----|-----|-----|------------|--------------|----|----|----|----|-----|----|
| 16 x 1/2" | 2 | 1 | 4 | 16 | 544000160416 | 10 | 25 | 88 | 75 | 155 | 20 |
| 20 x 1/2" | 2 | 1 | 4 | 16 | 544000200420 | 10 | 25 | 88 | 75 | 155 | 20 |

Applications



DRINKING
WATER



HEATING



HVAC



COMPRESSED
AIR



INDUSTRIAL



MARINE