

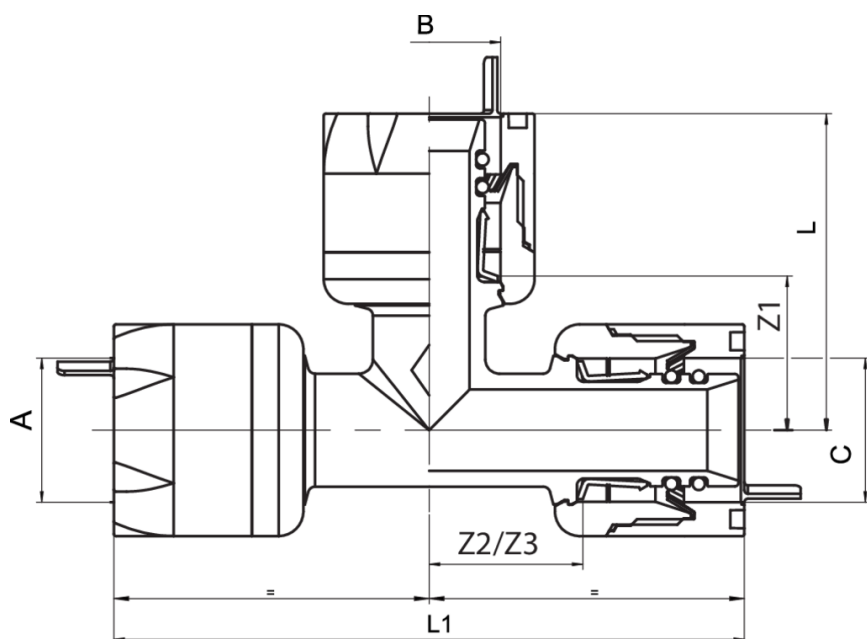


543600

PATENTED

Té élargie centrale.

Spécifications techniques



A X B X C	SP	BAG	BOX	MASTER BOX	CODE	L	L1	Z1	Z2	Z3
16 x 20 x 16	2	1	15	60	543600162016	45	88,5	21,5	22	21,5
20 x 26 x 20	2-3-2	1	10	40	543600202620	51	95,5	25	26	25

Applications



DRINKING
WATER



HEATING



HVAC



COMPRESSED
AIR



INDUSTRIAL



MARINE

