

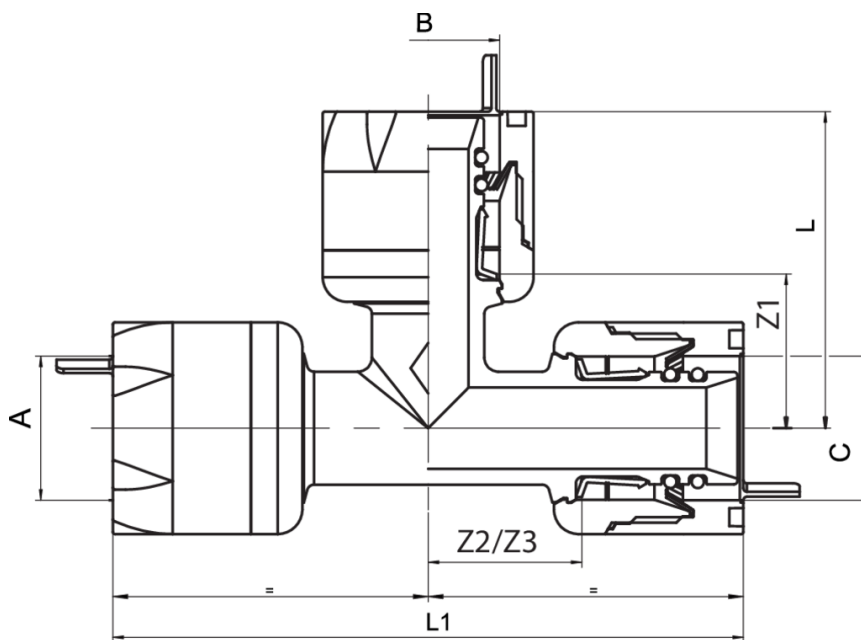


543500

PATENTED

Té élargie laterale.

Spécifications techniques



A X B X C	SP	BAG	BOX	MASTER BOX	CODE	L	L1	Z1	Z2	Z3
20 x 16 x 16	2	1	15	60	543500201616	44,5	89	22	21,5	21,5
26 x 20 x 20	3-2-2	1	15	60	543500262020	48	99	26	25	25

Applications



DRINKING
WATER



HEATING



HVAC



COMPRESSED
AIR



INDUSTRIAL



MARINE

