

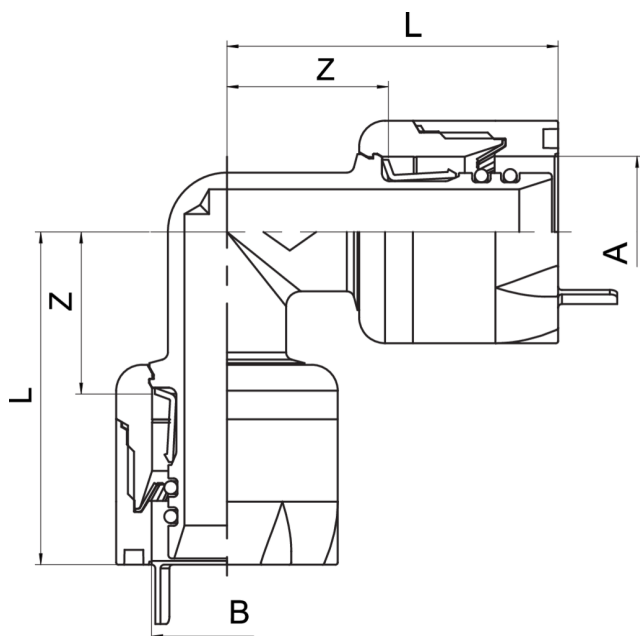
541200

PATENTED



Double raccord coude.

Spécifications techniques



| A X B | SP | BAG | BOX | MASTER BOX | CODE | L | Z |
|---------|----|-----|-----|------------|----------|----|----|
| 16 x 16 | 2 | 1 | 30 | 120 | 54120016 | 41 | 18 |
| 20 x 20 | 2 | 1 | 25 | 100 | 54120020 | 45 | 22 |
| 26 x 26 | 3 | 1 | 15 | 60 | 54120026 | 51 | 26 |

Applications



DRINKING WATER



HEATING



HVAC



COMPRESSED AIR



INDUSTRIAL



MARINE