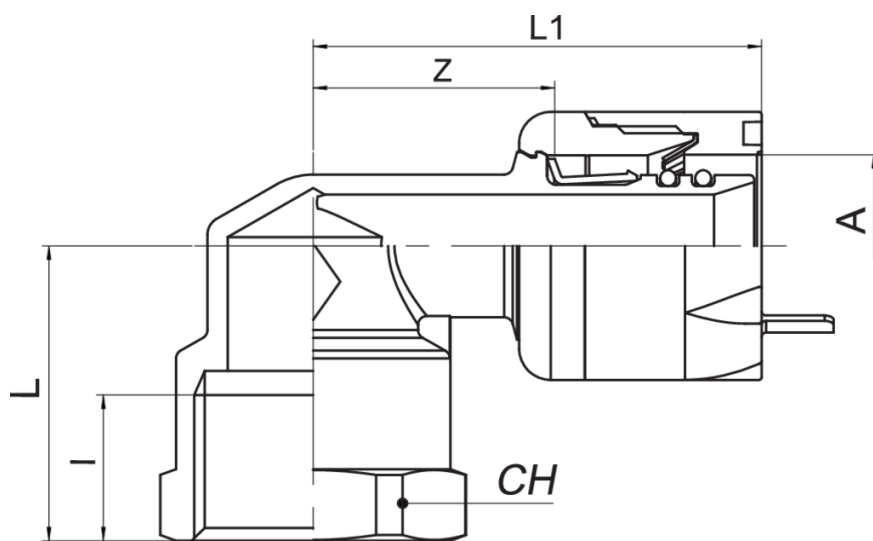


541100

PATENTED

Raccord coude filetage femelle.

Spécifications techniques



B - UNI EN 10226/1- Rp

A X B	SP	BAG	BOX	MASTER BOX	CODE	I	CH	L	L1	Z
16 x 1/2"	2	1	35	140	5411001604	15	26	28,5	47	24
20 x 1/2"	2	1	35	140	5411002004	15	26	28,5	47	24
20 x 3/4"	2	1	30	120	5411002005	16,3	31	33	50	27
26 x 3/4"	3	1	20	80	5411002605	16,3	31	38,5	51	26
26 x 1"	3	1	15	60	5411002606	19,1	38	45	54,5	29,5

Applications



DRINKING WATER



HEATING



HVAC



COMPRESSED AIR



INDUSTRIAL



MARINE