

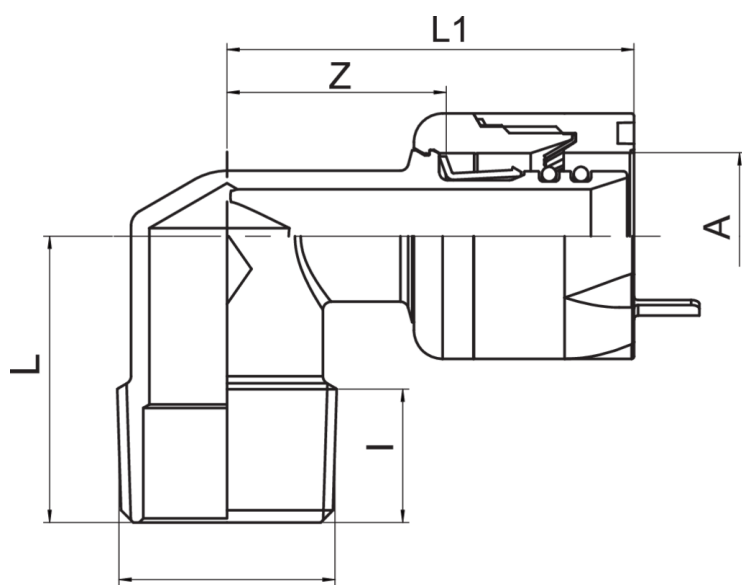
541000

PATENTED



Raccord coude filetage mâle.

Spécifications techniques



B - UNI EN 10226/1- R

A X B	SP	BAG	BOX	MASTER BOX	CODE	I	L	L1	Z
16 x 1/2"	2	1	35	140	5410001604	15	30	47	24
20 x 1/2"	2	1	35	140	5410002004	15	30	47	24
20 x 3/4"	2	1	25	100	5410002005	16,3	35	50	27
26 x 3/4"	3	1	20	80	5410002605	16,3	35	51	26
26 x 1"	3	1	15	60	5410002606	19,1	40	54,5	29,5

Applications



DRINKING WATER



HEATING



HVAC



COMPRESSED AIR



INDUSTRIAL



MARINE