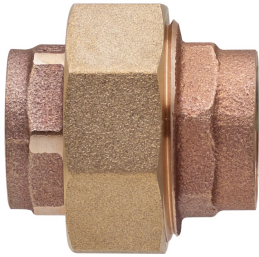
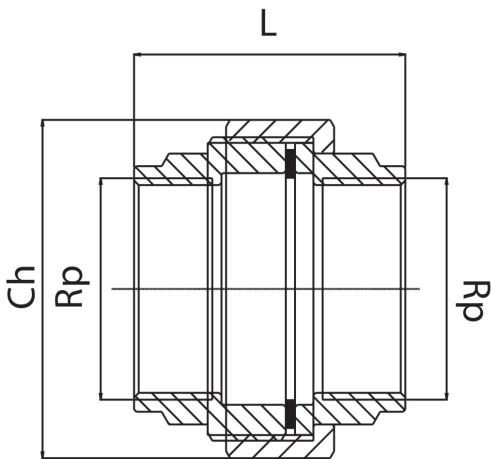


RB3330

Union à joint plat + joint, 3 pièces filetage femelle/femelle.



Spécifications techniques



| RP | BAG | MASTER BOX | CODE | CH | L |
|--------|-----|------------|-----------------|----|----|
| 1/4" | 5 | 200 | RB3330A14A14000 | 27 | 38 |
| 3/8" | 5 | 80 | RB3330A38A38000 | 30 | 38 |
| 1/2" | 5 | 80 | RB3330A12A12000 | 37 | 42 |
| 3/4" | 5 | 80 | RB3330A34A34000 | 46 | 46 |
| 1" | 5 | 40 | RB3330B01B01000 | 52 | 50 |
| 1 1/4" | 1 | 45 | RB3330B14B14000 | 64 | 59 |
| 1 1/2" | 1 | 12 | RB3330B12B12000 | 73 | 60 |
| 2" | 1 | 10 | RB3330C02C02000 | 89 | 72 |

Applications



DRINKING
WATER



HEATING



HVAC



GAS



COMPRESSED
AIR



SOLAR



FIREFIGHTING