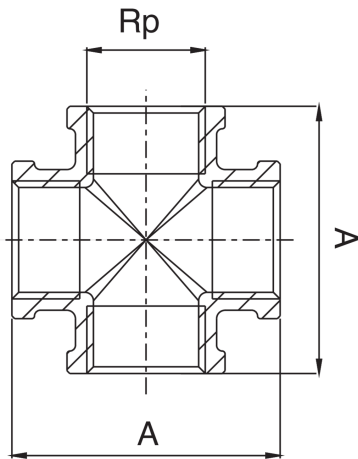


RB3516

Croix filetage femelle.



Spécifications techniques



| RP | BAG | MASTER BOX | CODE | A |
|------|-----|------------|-----------------|----|
| 3/8" | 10 | 100 | RB3516A38A38A38 | 43 |
| 1/2" | 10 | 100 | RB3516A12A12A12 | 48 |

Applications

