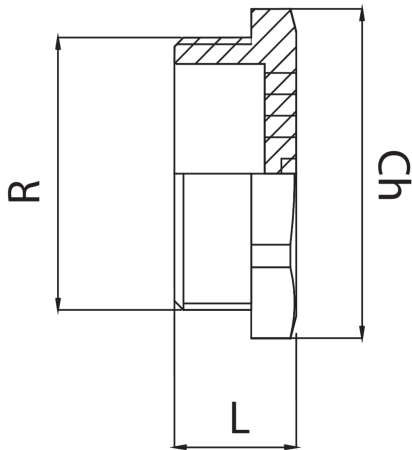


RB3290

Bouchon filetage mâle.



Spécifications techniques



| R | BAG | MASTER BOX | CODE | CH | L |
|-------|-----|------------|-----------------|----|------|
| 1/4" | 10 | 400 | RB3290A14A14000 | 15 | 13 |
| 3/8" | 10 | 200 | RB3290A38A38000 | 19 | 14,5 |
| 1/2" | 10 | 250 | RB3290A12A12000 | 24 | 16 |
| 3/4" | 10 | 150 | RB3290A34A34000 | 30 | 18,5 |
| 1" | 10 | 30 | RB3290B01B01000 | 37 | 21 |
| 1*1/4 | 5 | 60 | RB3290B14B14000 | 46 | 23,5 |
| 1*1/2 | 5 | 50 | RB3290B12B12000 | 52 | 25,5 |
| 2" | 1 | 40 | RB3290C02C02000 | 65 | 26 |

Applications



DRINKING
WATER



HEATING



HVAC



GAS



COMPRESSED
AIR



SOLAR



FIREFIGHTING