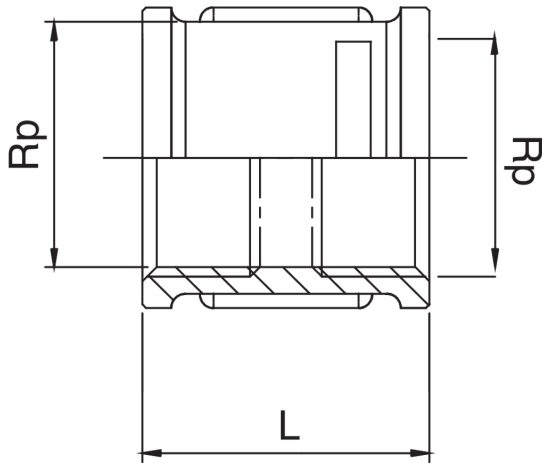


RB3270

Manchon filetage femelle/femelle.



Spécifications techniques



RP	BAG	MASTER BOX	CODE	L
3/8"	10	250	RB3270A38A38000	26
1/2"	10	150	RB3270A12A12000	28
3/4"	10	100	RB3270A34A34000	31
1"	5	50	RB3270B01B01000	44
1 1/4"	5	40	RB3270B14B14000	42
1 1/2"	5	30	RB3270B12B12000	49
2"	5	20	RB3270C02C02000	58

Applications

