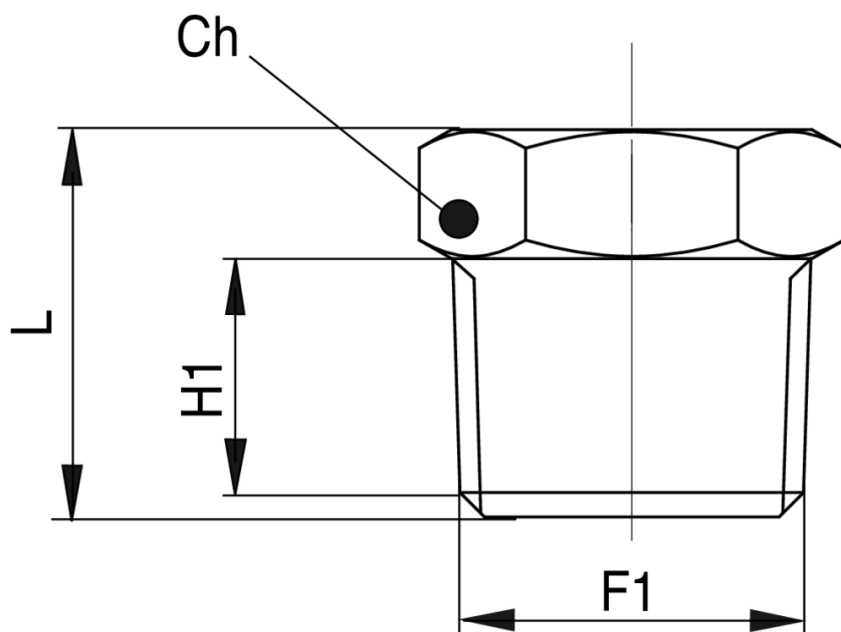


## R 261

Bouchon mâle conique.



### Spécifications techniques



| TAILLE | BOX  | MASTER BOX | CODE     | H1 | CH | L  |
|--------|------|------------|----------|----|----|----|
| 1/8    | 1000 | 6000       | R 261 18 | 9  | 11 | 13 |
| 1/4    | 1000 | 2000       | R 261 14 | 10 | 14 | 15 |
| 3/8    | 500  | 1000       | R 261 38 | 12 | 17 | 18 |
| 1/2    | 300  | 600        | R 261 12 | 13 | 23 | 20 |

# Applications

---



DRINKING  
WATER



GAS