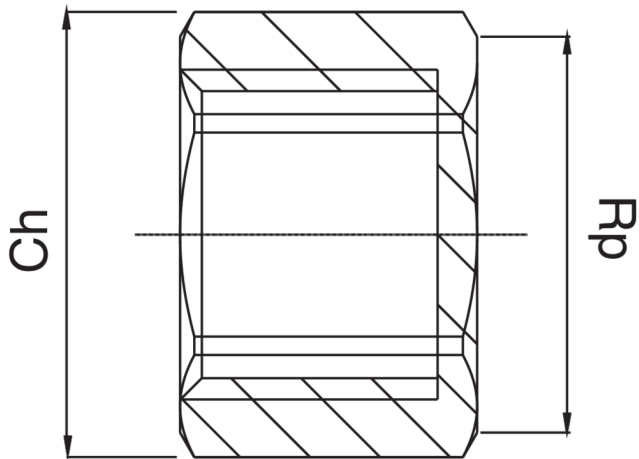


## KR5301

Bouchon filetage femelle.



### Spécifications techniques



RP	BAG	MASTER BOX	CODE	CH
3/8"	10	300	KR5301A38000000	20
1/2"	10	300	KR5301A12000000	24
3/4"	10	200	KR5301A34000000	30
1"	10	150	KR5301B01000000	37

### Applications

