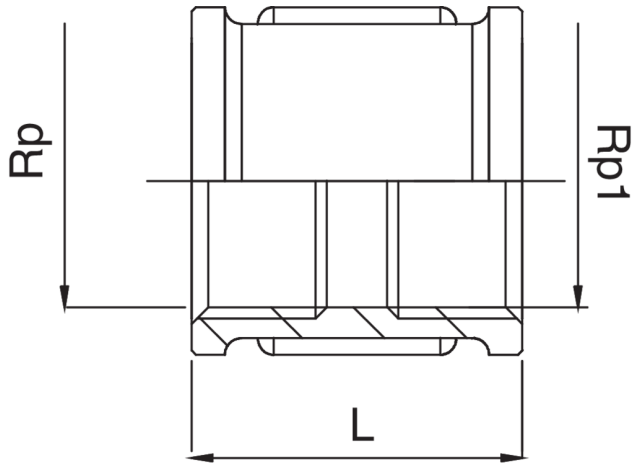


KR5270

Manchon filetage femelle/femelle.



Spécifications techniques



RP X RP1	BAG	MASTER BOX	CODE	L
3/8" x 3/8"	10	300	KR5270A38A38000	25
1/2" x 1/2"	10	150	KR5270A12A12000	35
3/4" x 3/4"	10	100	KR5270A34A34000	37
1" x 1"	10	50	KR5270B01B01000	49

Applications

