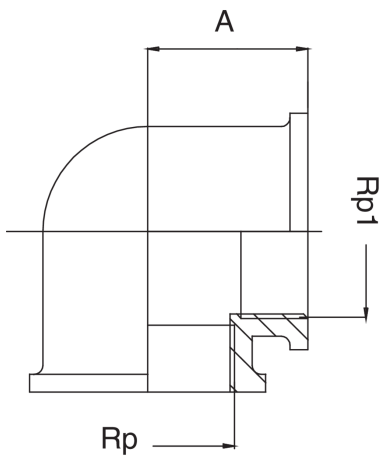


## KR5090

Coude filetage femelle/femelle.



### Spécifications techniques



RP X RP1	BAG	MASTER BOX	CODE	A
3/8" x 3/8"	10	150	KR5090A38A38000	21
1/2" x 1/2"	10	100	KR5090A12A12000	25
3/4" x 3/4"	10	70	KR5090A34A34000	27
1" x 1"	5	40	KR5090B01B01000	21

### Applications

