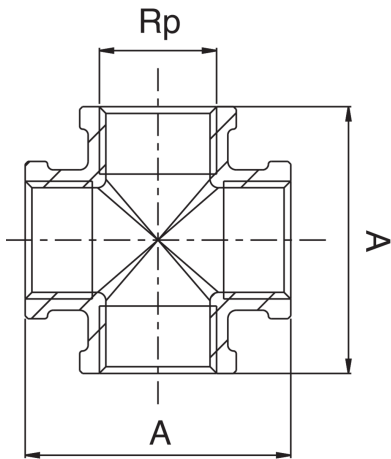


OT5516

Croix filetage femelle.



Spécifications techniques



RP	BAG	MASTER BOX	CODE	A
1/2"	10	50	OT5516A12A12A12	48
3/4"	5	40	OT5516A34A34A34	57
1"	5	20	OT5516B01B01B01	67
1 1/4"	5	15	OT5516B14B14B14	81
1 1/2"	1	10	OT5516B12B12B12	94
2"	1	6	OT5516C02C02C02	115

Applications

