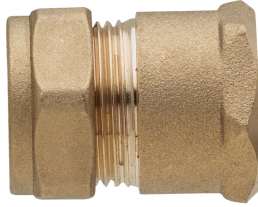
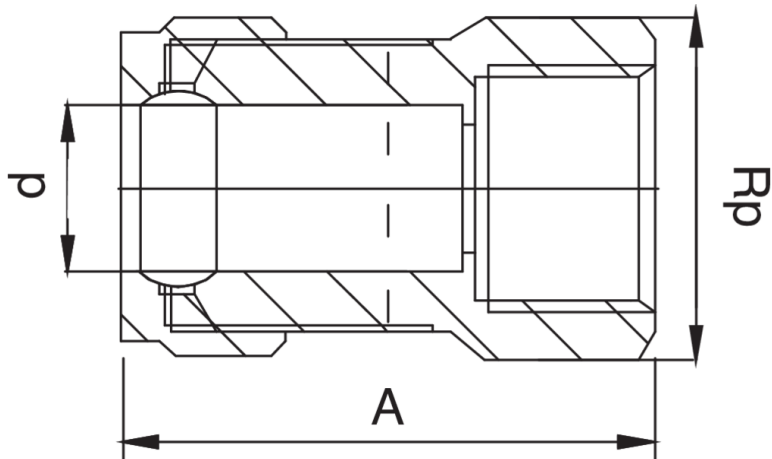


OT6010

Réduction F/filetage femelle.



Spécifications techniques



D X RP	BAG	MASTER BOX	CODE	A
8 x 1/4"	10	100	OT6010A14008000	28
8 x 3/8"	10	100	OT6010A38008000	28
10 x 1/4"	10	100	OT6010A14010000	28
10 x 3/8"	10	200	OT6010A38010000	28
10 x 1/2"	10	250	OT6010A12010000	30
12 x 3/8"	10	700	OT6010A38012000	28,5
12 x 1/2"	10	200	OT6010A12012000	30
14 x 3/8"	10	700	OT6010A38014000	30,5
14 x 1/2"	10	250	OT6010A12014000	31
15 x 3/8"	10	100	OT6010A38015000	31
15 x 1/2"	10	250	OT6010A12015000	34
15 x 3/4"	10	100	OT6010A34015000	38
16 x 1/2"	10	250	OT6010A12016000	32
16 x 3/4"	10	100	OT6010A34016000	38
18 x 1/2"	10	100	OT6010A12018000	32,5
18 x 3/4"	10	100	OT6010A34018000	38,5
22 x 3/4"	10	100	OT6010A34022000	37,5
22 x 1"	10	50	OT6010B01022000	39,5
28 x 1"	10	80	OT6010B01028000	44

Applications



DRINKING
WATER



HEATING



HVAC



GAS



COMPRESSED
AIR



SOLAR

