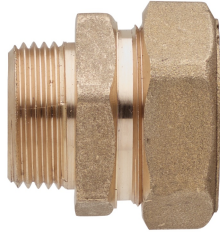
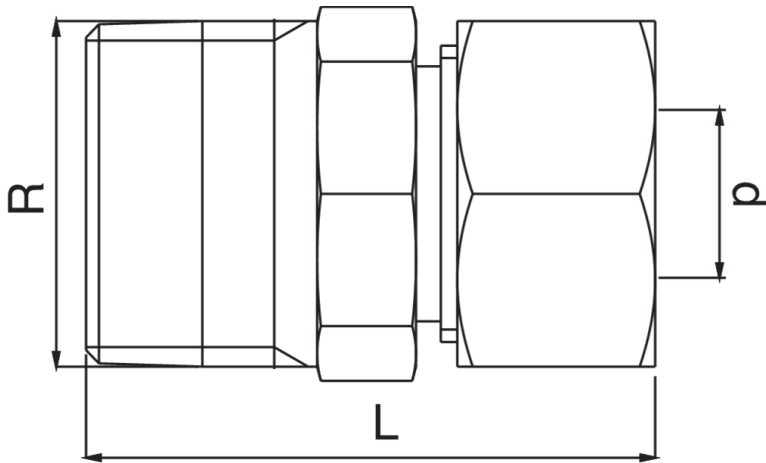


OT2007

Manchon F/filetage mâle.



Spécifications techniques



D X RP	BAG	MASTER BOX	CODE	L
8 x 3/8"	10	250	OT2007A38008000	32
10 x 3/8"	10	250	OT2007A38010000	33,5
10 x 1/2"	10	200	OT2007A12010000	33,5
12 x 3/8"	10	250	OT2007A38012000	35
12 x 1/2"	10	200	OT2007A12012000	35
12 x 3/4"	10	120	OT2007A34012000	37
14 x 3/8"	10	120	OT2007A38014000	34
14 x 1/2"	10	150	OT2007A12014000	36,5
14 x 3/4"	10	100	OT2007A34014000	38,5
16 x 3/8"	10	120	OT2007A38016000	37
16 x 1/2"	10	150	OT2007A12016000	37,5
16 x 3/4"	10	100	OT2007A34016000	40
18 x 1/2"	10	100	OT2007A12018000	39
18 x 3/4"	10	100	OT2007A34018000	40,5
18 x 1"	10	70	OT2007B01018000	44,5
22 x 1/2"	10	70	OT2007A12022000	42,5
22 x 3/4"	5	80	OT2007A34022000	43,5
22 x 1"	5	80	OT2007B01022000	45,5
28 x 1"	10	50	OT2007B01028000	47

Applications



DRINKING
WATER



HEATING



HVAC



GAS



COMPRESSED
AIR

