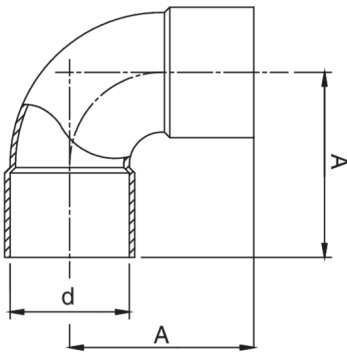


RG5090

Coude 90° F/F.



Spécifications techniques



D	BAG	MASTER BOX	CODE	A
35	5	90	RG5090035035000	54
42	5	40	RG5090042042000	61

Applications

