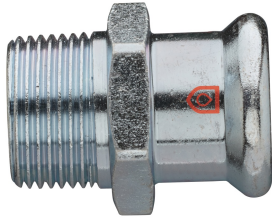
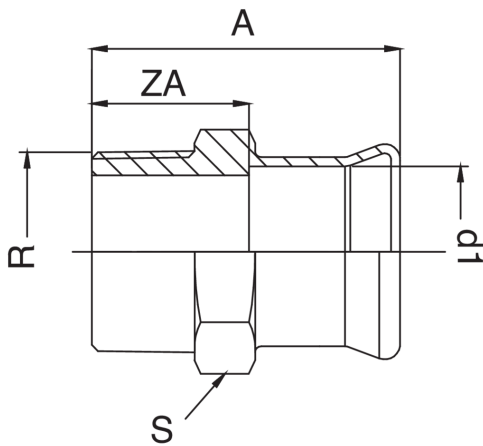


Manchon F/filetage mâle.



Spécifications techniques



Multiutility

| D1 X R | BAG | MASTER BOX | CODE | A | S | ZA |
|------------|-----|------------|-----------------|------|----|------|
| 35 x 1"1/4 | 5 | 40 | CMF243B14035000 | 55 | 46 | 29 |
| 42 x 1"1/2 | 5 | 20 | CMF243B12042000 | 55 | 55 | 25 |
| 54 x 2" | 1 | 10 | CMF243C02054000 | 68,5 | 70 | 33,5 |

Idrotermo sanitaria (ITS)

| D1 X R | BAG | MASTER BOX | CODE | A | S | ZA |
|-----------|-----|------------|-----------------|------|----|------|
| 15 x 3/8" | 10 | 100 | CMF243A38015000 | 34 | 24 | 14 |
| 15 x 1/2" | 10 | 150 | CMF243A12015000 | 37,5 | 24 | 17,5 |
| 15 x 3/4" | 10 | 200 | CMF243A34015000 | 46 | 19 | 16,3 |
| 18 x 1/2" | 10 | 150 | CMF243A12018000 | 37,5 | 27 | 17,5 |
| 18 x 3/4" | 10 | 100 | CMF243A34018000 | 41 | 27 | 21 |
| 22 x 1/2" | 10 | 100 | CMF243A12022000 | 40,5 | 32 | 17,5 |
| 22 x 3/4" | 10 | 100 | CMF243A34022000 | 44 | 32 | 21 |
| 22 x 1" | 5 | 50 | CMF243B01022000 | 47 | 34 | 24 |
| 28 x 3/4" | 5 | 70 | CMF243A34028000 | 45 | 38 | 22 |
| 28 x 1" | 5 | 50 | CMF243B01028000 | 48 | 38 | 25 |
| 35 x 1" | 5 | 40 | CMF243B01035000 | 52 | 50 | 26 |

Applications



