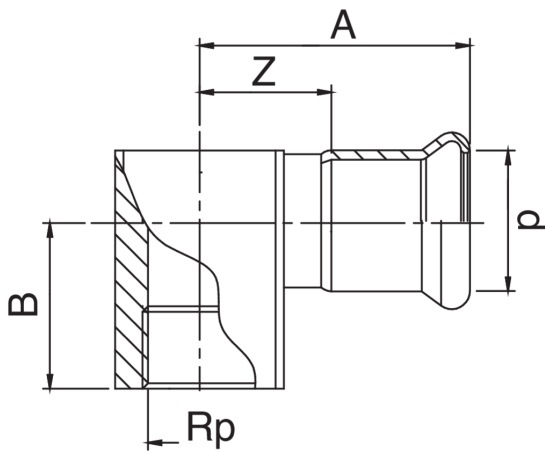




Coude F/filetage femelle.



## Spécifications techniques



| D X RP    | BAG | MASTER BOX | CODE            | A    | B  | Z    |
|-----------|-----|------------|-----------------|------|----|------|
| 15 x 1/2" | 5   | 80         | CMF90QA12015000 | 46   | 26 | 30   |
| 18 x 1/2" | 5   | 40         | CMF90QA12018000 | 45   | 26 | 26   |
| 22 x 1/2" | 5   | 25         | CMF90QA12022000 | 47,5 | 28 | 25,5 |
| 22 x 3/4" | 5   | 25         | CMF90QA34022000 | 51   | 28 | 32   |
| 28 x 1/2" | 10  | 25         | CMF90QA12028000 | 50   | 31 | 31   |

## Applications



HEATING



HVAC



COMPRESSED  
AIR