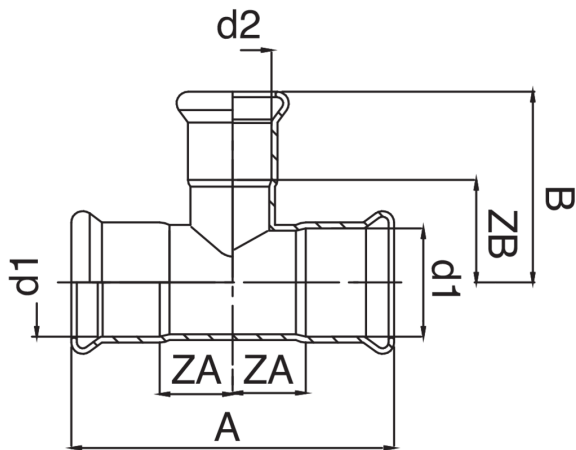


Té réduit F/F/F.



Spécifications techniques



| D1 X D2 X D1 | BAG | MASTER BOX | CODE | A | B | ZA | ZB |
|--------------|-----|------------|-----------------|-----|----|------|----|
| 15 x 22 x 15 | 10 | 70 | CM0131015022015 | 75 | 42 | 18,5 | 19 |
| 18 x 15 x 18 | 10 | 80 | CM0131018015018 | 80 | 36 | 21 | 17 |
| 18 x 22 x 18 | 5 | 50 | CM0131018022018 | 80 | 43 | 21 | 20 |
| 22 x 15 x 22 | 5 | 50 | CM0131022015022 | 82 | 38 | 20 | 19 |
| 22 x 18 x 22 | 5 | 50 | CM0131022018022 | 82 | 38 | 20 | 19 |
| 22 x 28 x 22 | 5 | 40 | CM0131022028022 | 82 | 46 | 20 | 23 |
| 28 x 15 x 28 | 5 | 30 | CM0131028015028 | 92 | 42 | 24 | 23 |
| 28 x 18 x 28 | 5 | 30 | CM0131028018028 | 92 | 42 | 24 | 23 |
| 28 x 22 x 28 | 5 | 30 | CM0131028022028 | 92 | 45 | 24 | 23 |
| 35 x 15 x 35 | 5 | 25 | CM0131035015035 | 102 | 45 | 26 | 26 |
| 35 x 18 x 35 | 5 | 25 | CM0131035018035 | 102 | 45 | 26 | 26 |
| 35 x 22 x 35 | 5 | 20 | CM0131035022035 | 102 | 46 | 26 | 24 |
| 35 x 28 x 35 | 5 | 20 | CM0131035028035 | 115 | 53 | 32,5 | 31 |
| 42 x 22 x 42 | 3 | 15 | CM0131042022042 | 130 | 56 | 36 | 35 |
| 42 x 28 x 42 | 1 | 10 | CM0131042028042 | 130 | 57 | 36 | 35 |
| 42 x 35 x 42 | 1 | 10 | CM0131042035042 | 130 | 61 | 36 | 36 |
| 54 x 22 x 54 | 1 | 10 | CM0131054022054 | 160 | 63 | 46 | 42 |
| 54 x 28 x 54 | 1 | 10 | CM0131054028054 | 160 | 64 | 46 | 42 |
| 54 x 35 x 54 | 1 | 10 | CM0131054035054 | 160 | 68 | 46 | 43 |
| 54 x 42 x 54 | 1 | 10 | CM0131054042054 | 160 | 76 | 46 | 47 |

Applications



HEATING



HVAC



COMPRESSED AIR